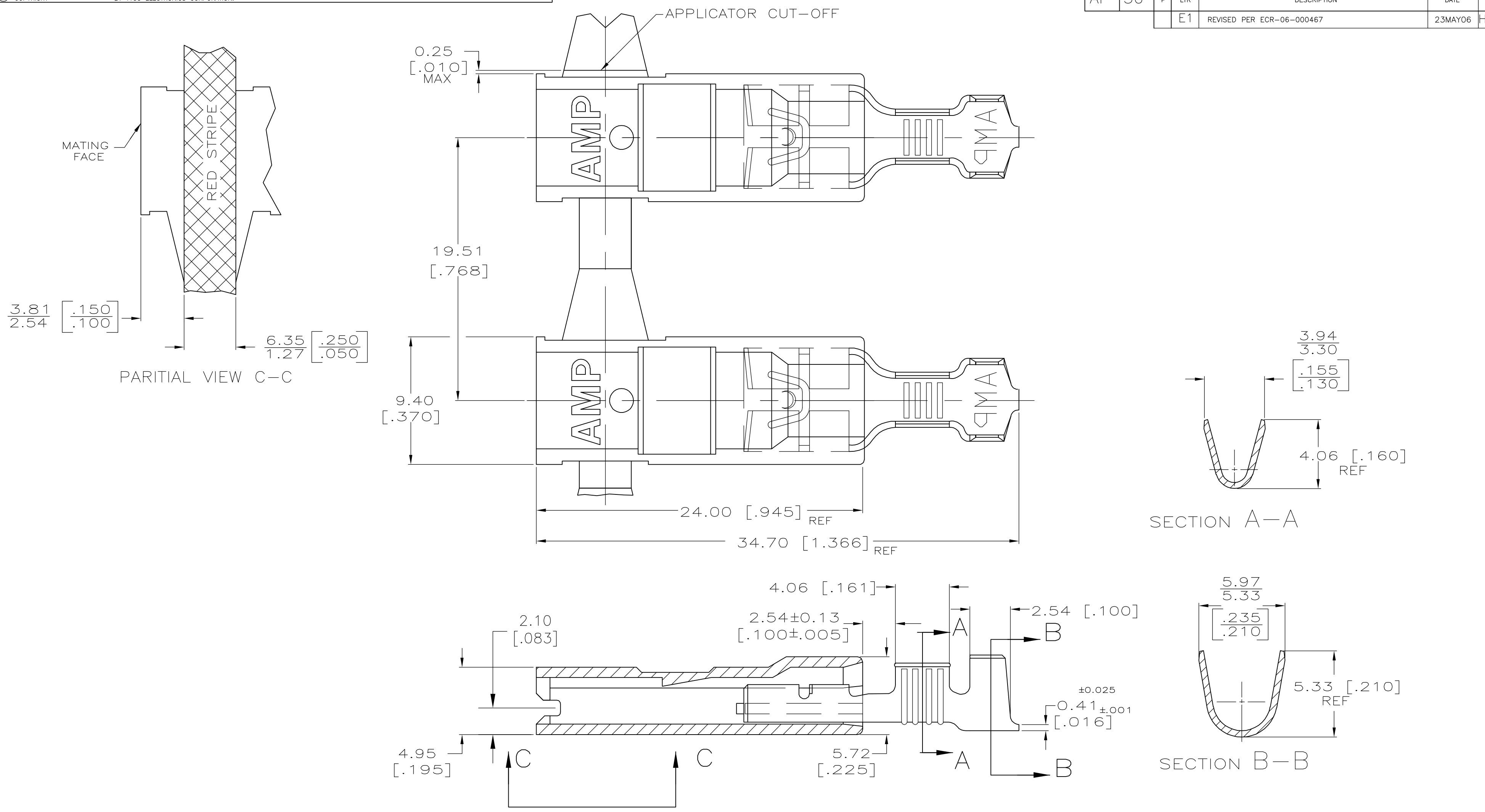


LOC	DIST	REVISIONS					
AF	50	P	LTR	DESCRIPTION	DATE	DWN	APVD
		E1		REVISED PER ECR-06-000467	23MAY06	HMR	GP



1 LOW-INSERTION FASTON TERMINALS, BASE P/N 63306, ARE USED IN THIS PRODUCT.

2 MATERIAL - HOUSING 6/6 NYLON, COLOR NATURAL
TERMINAL - 4M HARD BRASS, NO PLATING

OBSOLETE	BULK	2.79-4.32 [.110-.170]	0.8-2.0 mm ² [18-14]	0.813 [.032]	-5-521081-1
	STANDARD				521081-1
	PACKAGING	INSULATION RANGE	WIRE SIZE	MATING TAB THK ±0.025 [±.001]	PART NO.
THIS DRAWING IS A CONTROLLED DOCUMENT.		DWN JR RUTH 4/10/95		Tyco Electronics Corporation	
DIMENSIONS: mm [INCHES]		CHK MS FEHER 4/10/95		Harrisburg, PA 17105-3608	
TOLERANCES UNLESS OTHERWISE SPECIFIED:		APVD D BRATINA 4/10/95		NAME	
0 PLC ± -	1 PLC ± -	PRODUCT SPEC		ASSEMBLY, ULTRA-POD, RECEPTACLE, 6.35 [.250] SERIES WITH RED STRIPE	
2 PLC ± -	3 PLC ± 0.25 [.010]	APPLICATION SPEC		SIZE CAGE CODE DRAWING NO RESTRICTED TO	
4 PLC ± -	ANGLES ± -	114-2124		A2 00779 C-521081	
MATERIAL 2	FINISH 2	WEIGHT -		CUSTOMER DRAWING	
SCALE 5:1			SHEET 1 of 1		
REV E1					